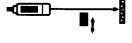
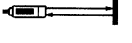
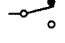

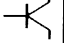


OMRON

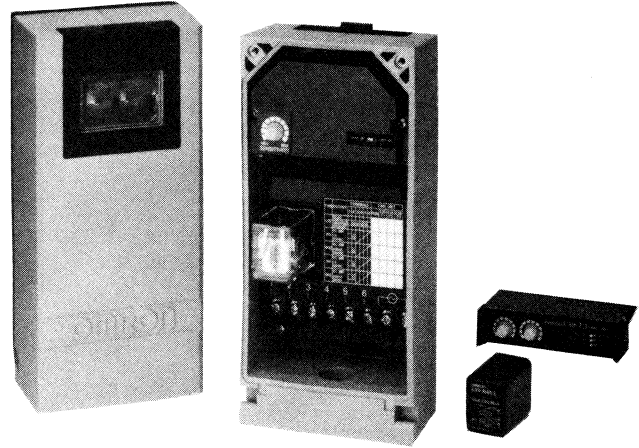
Sensing		Supply voltage	Output		
 10 m	 2 m	42 to 240 VAC, 50/60 Hz; 24 to 240 VDC	 10 A, 240 VAC	 1 A or 200 mA, 75 to 250 VAC	 1 A, 3 to 50 VDC or 200 mA, 3 to 30 VDC

General-Purpose Photoelectric Sensor

E3K

Heavy-Duty Reflective Sensors Offer Long Sensing Distances

- Universal AC/DC supply voltage
- Open, easy-to-wire interior
- Plug-in replaceable outputs
- Light-ON/dark-ON operation, switch selectable
- Mutual interference protection
- Optional plug-in timer modules
- Ready-to-use: includes 10 A, DPDT relay output, mounting bracket and reflector for retroreflective types



5

Ordering Information

■ SENSOR

Method of detection	Retroreflective	Diffuse reflective
Sensing distance	10 m (32.8 ft)	2 m (6.56 ft)
Part number	E3K-R10K4	E3K-D2K4

■ ACCESSORIES

Description		Part number
Timer modules	Selectable ON-delay, OFF-delay or one-shot delay; 0.05 to 2 seconds or 0.5 to 20 seconds	E39-T1
	Dual ON- and OFF-delays; 0.05 to 2 seconds or 0.5 to 20 seconds	E39-T2
	Delayed one-shot; 0.05 to 2 seconds or 0.5 to 20 seconds	E39-T3
Reflector adapter for stud-mounting E39-R1 reflector		E39-L7

■ REPLACEMENT PARTS

Description	Part number
Relay output module, DPDT, 10 A at 240 VAC max. load (supplied with each sensor)	LY2-DC12
Reflector (supplied with retroreflective sensor)	E39-R1
Mounting bracket (supplied with each sensor)	E39-L37

Specifications

Part number			E3K-R10K4	E3K-D2K4
Method of detection			Retroreflective	Diffuse reflective
Supply voltage			100 to 240 VAC, 50/60 Hz; 24 to 240 VDC	
Power consumption			10 VA max.	
Sensing distance			10 m (32.8 ft) with E39-R1 reflector included 12.2 m (40 ft) with 3 inch dia. reflector	2 m (6.56 ft) with 30 x 30 cm (11.8 x 11.8 in) 90% reflectance white mat paper
Light source			Pulse modulated infrared LED (950 nm)	
Detectable object type			Opaque materials	Opaque and translucent materials
Operation mode			Light-ON/Dark-ON, switch selectable	
Sensitivity			Adjustable	
Mutual interference protection			Provided	
Control output	Relay	Type	DPDT	
		Max. load	10 A, 240 VAC	
		Min. load	1 mA, 5 VDC	
Response time	On	Relay output	30 ms max.	
	Off	Relay output	30 ms max.	
Timing Functions			See "Accessories" in Ordering Information	
Circuit protection	Output short-circuit		Not provided	
	DC power supply reverse polarity		Yes	
Indicators			Light Incident (red LED), Output Stability (green LED), Output Operation (yellow LED)	
Materials		Lens	Plastic	
		Case	Plastic	
Mounting			Bottom surface with three threaded metal inserts; Bracket (E39-L37) and hardware included	
Connections		Conduit	3/4-14 NPT	
		Wire	Plated steel screw terminals	
Weight			Without timer module: approx. 650 g (22.9 oz.) With timer module: approx. 690 g (24.3 oz.)	
Enclosure ratings		UL	1	
		NEMA	1, 4, 4X, 12 and 13	
		IEC 144	IP67	
Approvals		UL	Listed, File Number E41515	
		CSA	Certified, File Number LR 45951	
Ambient temperature		Operating	-25° to 55°C (-13° to 131°F)	
		Storage	-30° to 70°C (-22° to 158°F)	

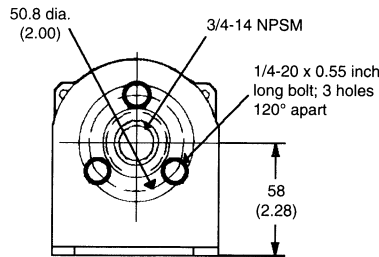
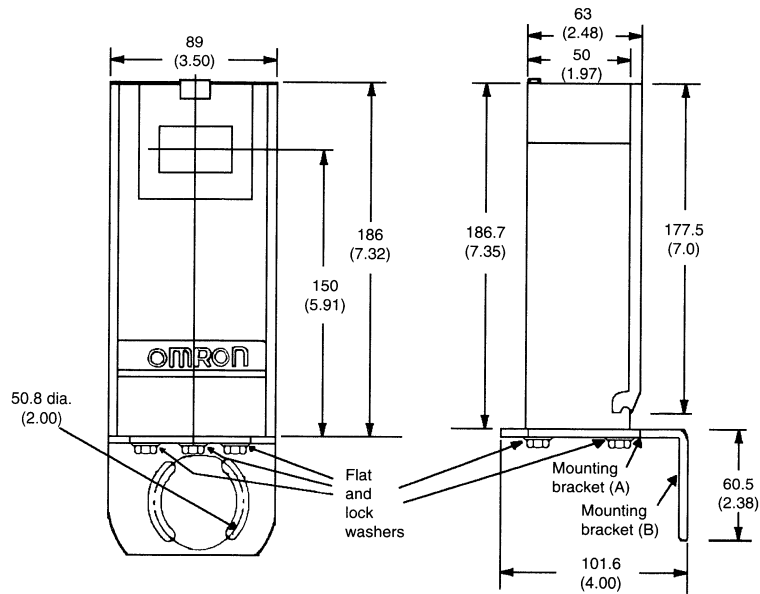
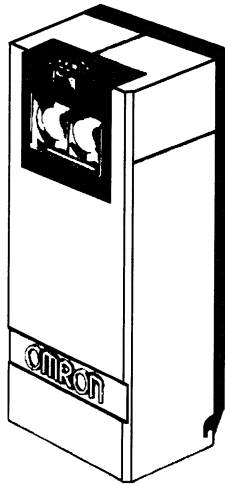
Dimensions

Unit: mm (inch)

SENSORS

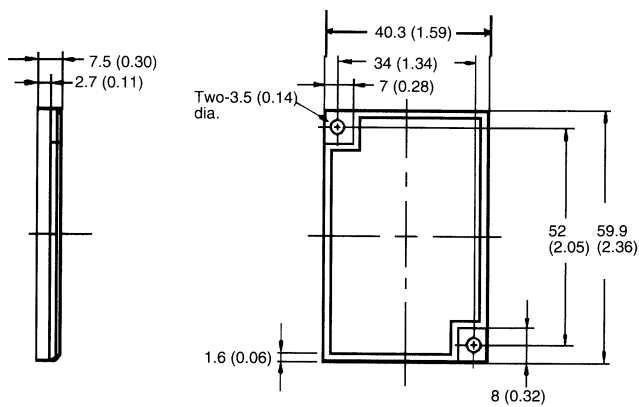
E3K-□□□□

5



ACCESSORIES

E39-R1 Reflector



E39-L7 Reflector Adapter

