

Combined Active Infrared and
Microwave Sensor

OAM-EXPLORER

Industrial Door Sensor



Combination of infrared
and microwave technology



Mount up to 19' 8" (6.0 m)



Energy saving by
Cross traffic cancellation



Angle setting with no tools



Endurance to harsh
environment
NEMA4



Smartphone ready





OPTEX's mission is to build a better future by using sensing technology to create a safe, secure and comfortable global society. Since producing the world's first infrared automatic door sensors, OPTEX has continued to create products that conform to global safety standards and contribute to a welcoming entrance space in any environment.

OPTEX optimizes the working environment by improving the safety and eco-efficiency of industrial doors used in factories and warehouses where forklifts and workers coexist, by applying the sensing technology cultivated in the global automatic door market.

OAM-EXPLORER

Proven technologies, trusted solutions



Industrial door sensor OAM-EXPLORER



High level of supplemental safety and flexibility

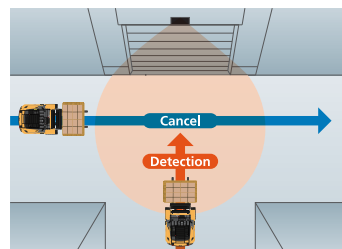
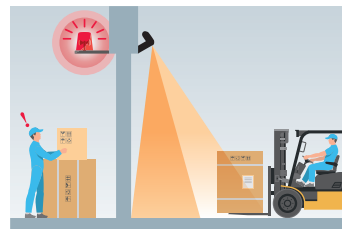


The OAM-EXPLORER is an infrared and microwave combination sensor designed for industrial door applications. By using the unique OPTEX presence detection technique, the OAM-EXPLORER provides both supplemental safety at the threshold of an industrial door and a large microwave activation detection area for forklifts and other vehicles.

The OAM-EXPLORER allows you to control external devices such as a strobe light or alert sounder for pre-caution purposes, helping avoid accidents between vehicles or pedestrians coming from the opposite side.

Avoid unwanted openings and contribute to the environment

The OAM-EXPLORER facilitates and secures the flow of vehicles including forklifts and trucks, and can also be programmed to sense and react to human traffic moving in and out of a building. Furthermore, the OAM-EXPLORER avoids unwanted door openings to contribute to increased efficiency of temperature management and room separation where hygiene is of concern.

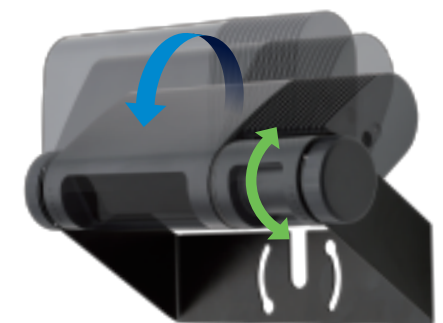


Superior usability and work efficiency

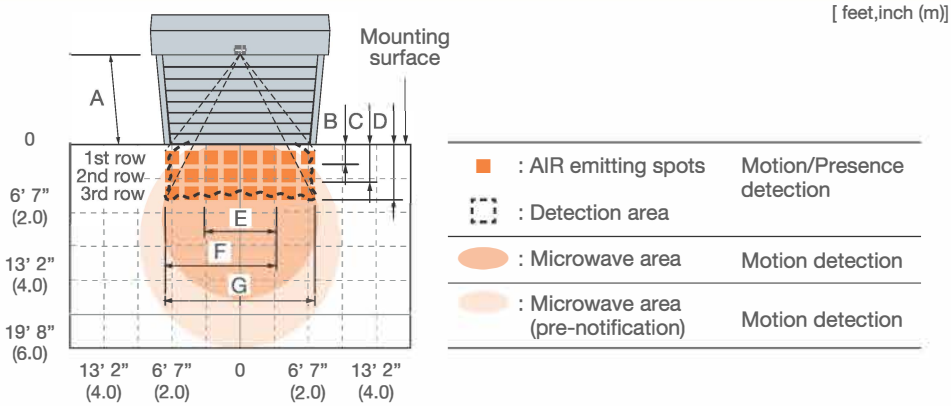


The OAM-EXPLORER was designed with an eye for simplicity, having absolute attention to detail. For example, unique cabling and fastening that will minimize the total amount of time for installation and adjustment. Furthermore, the new manual design allows for smooth independent angle settings with no tools. As a result, the total time of installation and adjustment will be halved when compared to conventional industrial door sensors.

Once the OAM-EXPLORER is installed on the header or ceiling, further configuration and fine tuning are done via the free smartphone app. By registering your favorite settings you will be able easily load them into other sensors on site. This feature can be used in facilities that have multiple industrial doors, or in multiple different facilities where similarities exist. This saves setup time.



Detection Area

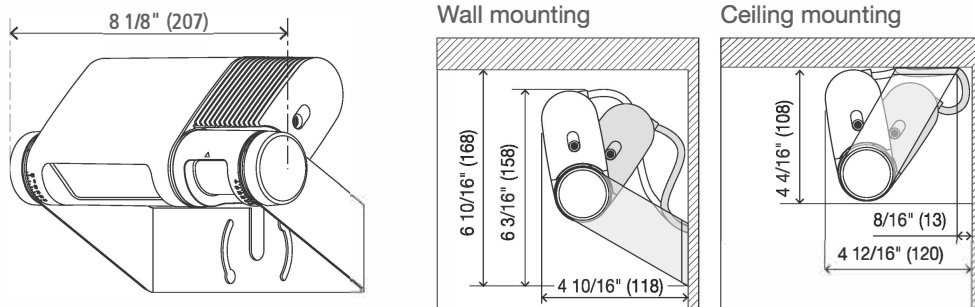


AIR emitting area

	A	B	C	D	E	F	G
A	6' 7" (2.00)	9' 10" (3.00)	13' 1" (4.00)	16' 5" (5.00)	19' 8" (6.00)		
B	10" (0.26)	1' 3" (0.39)	1' 9" (0.52)	2' 2" (0.65)	2' 7" (0.78)		
C	1' 7" (0.48)	2' 4" (0.71)	3' 1" (0.95)	3' 11" (1.19)	4' 8" (1.43)		
D	2' 3" (0.69)	3' 5" (1.03)	4' 6" (1.37)	5' 8" (1.72)	6' 9" (2.06)		
E	2' 11" (0.89)	4' 5" (1.34)	5' 10" (1.79)	7' 4" (2.24)	8' 10" (2.68)		
F	4' 7" (1.41)	6' 11" (2.11)	9' 3" (2.82)	11' 7" (3.52)	13' 10" (4.22)		
G	6' 4" (1.92)	9' 5" (2.88)	12' 7" (3.84)	15' 9" (4.80)	18' 11" (5.76)		

Dimensions

[feet,inch (mm)]



Specifications

Model	OAM-EXPLORER US
Color	Black
Mounting height	6' 7" to 19' 8" (2.0m to 6.0m)
Transmitter frequency	24.2GHz
Transmitter radiated power	< 12.7dBm
Detection area	See Detection Area
Detection method	Microwave Doppler effect Active infrared reflection
Depth angle adjustment	Microwave area : 0 to +50° AIR area : -15 to +40°
Power supply	12 to 24VAC±10%(50 / 60Hz) 12 to 30VDC ±10%
Power consumption	< 2.5W (< 3.5VA at AC)
Operation indicator	Green : Stand-by Blinking red : 1st row detection active Red : 2nd/3rd row detection active Orange : Microwave detection active
Output hold time	Approx. 0.5 sec. (Selectable via app)
Response time	< 0.3 sec. (Selectable via app)
Operating temperature	-31 to 131 °F (-35 to 55°C)
Operating humidity	< 80%
Communication method	Bluetooth LE (Ver.4.0)
Activation output	Form A relay 50V 0.3A Max. (Resistance load)
Supplemental safety output	Form B relay 50V 0.3A Max. (Resistance load)
AUX output	Form A relay 50V 0.3A Max. (Resistance load)
Environmental protection rating	NEMA4 / IP65
Weight	21.2oz (600g)
Accessories	1 Operation manual , 2 Mounting screws 1 Mounting template , 1 Cable 32' 10" (10m)



Web manual

