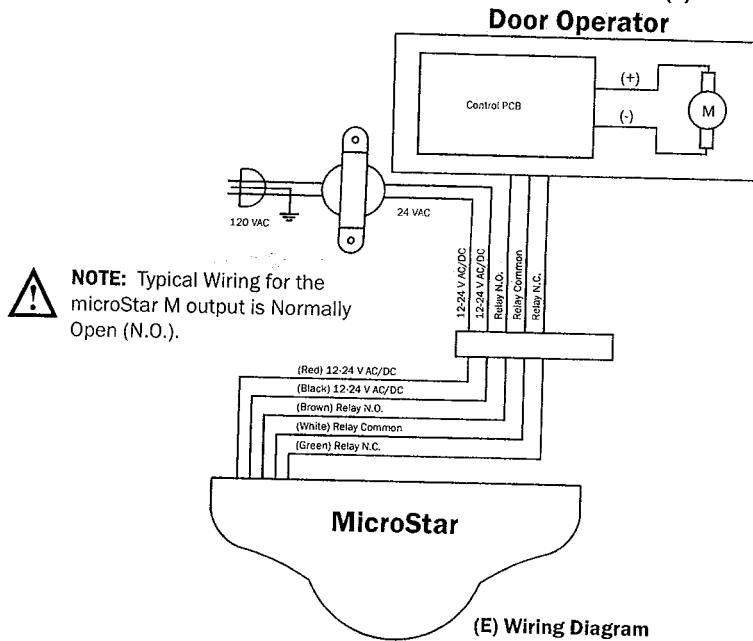




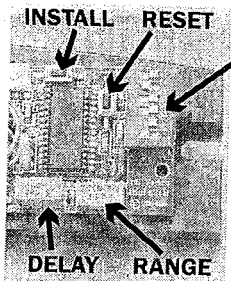
**SENSOR WIRING**

With power OFF, connect sensor wiring to the operator control as shown (E).



**SENSOR SETTINGS AND ADJUSTMENTS**

All settings and adjustments can be made via the microStar main circuit board as shown (F). There is no need for costly or confusing proprietary set up devices.



**SWITCH SETTINGS**

LEFT	RIGHT
6. NOT USED	6. NOT USED
5. FAILSAFE OFF	5. FAILSAFE ON
4. HPR OFF	4. HPR ON
3. NOT USED	3. NOT USED
2. DEPART	2. APPROACH
1. BI-DIRECTION	1. UNI-DIRECTION

**(F) Main Circuit Board Picture**