

# IS40 / IS40XL

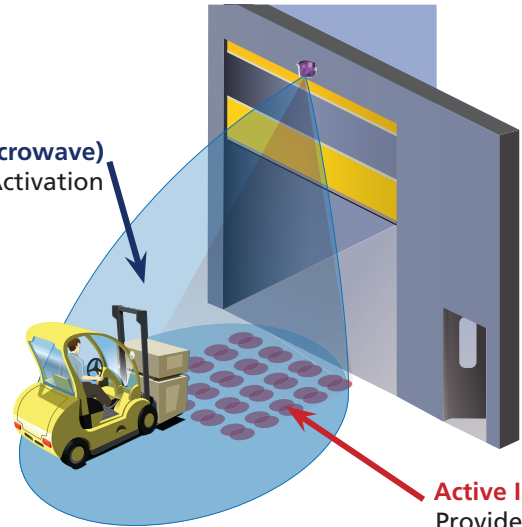
## MOTION & PRESENCE SENSOR FAMILY FOR INDUSTRIAL DOORS



### PRIMARY APPLICATIONS



**Radar (Microwave)**  
Provides Activation



**Active Infrared**  
Provides Presence

### DESCRIPTION

BEA's IS40 / IS40XL are dual technology sensors designed to provide motion and presence detection in industrial applications.

The standard IS40 can be mounted from 96 to 192 inches (8 ft x 16 ft) to fit any industrial application. For lower mounting heights, BEA's IS40XL can be mounted from 78 to 138 inches (6.5 ft x 11.5 ft).

Housed in a rugged NEMA 4 rated enclosure, the IS40 / IS40XL will operate in harsh environments, capable of withstanding damage caused by wind-blown dust and rain and hose-directed water.

### FEATURES & BENEFITS

- Bidirectional, unidirectional approach and unidirectional depart microwave detection options
- Six modes of detection filtering are available for microwave immunity, as well as pedestrian and parallel traffic rejection
- Nine unique infrared patterns capable of highly flexible presence detection in any industrial environment
- Up to seven minimum object targets
- Adjustable infrared immunity modes mitigate environmental disturbances such as subtle door vibrations, light and sun
- Remote control programming enables user to quickly and safely make changes from the ground (sold separately)

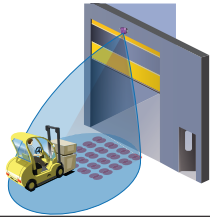


BEA, Inc.  
RIDC Park West  
100 Enterprise Drive  
Pittsburgh, PA 15275-1213

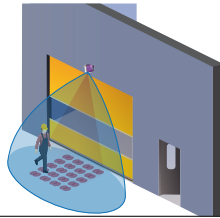
Customer Service: 800.523.2462  
Technical Support: 800.407.4545  
www.BEAinc.com

## APPLICATIONS

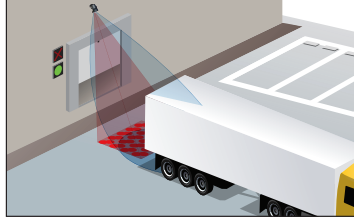
IS40: INDUSTRIAL MOUNTING HEIGHTS



IS40XL: LOWER MOUNTING HEIGHTS



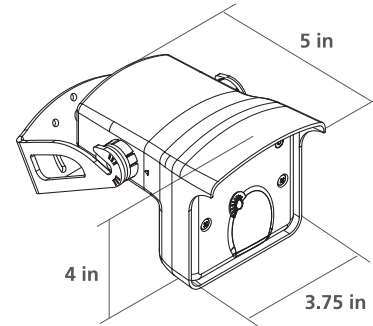
40 IR SPOTS ACCURATELY TRIGGER SIGNALS



## TECHNICAL SPECIFICATIONS

<b>Technology</b>	Microwave Doppler Radar	Active Infrared
<b>Detection Mode</b>	Motion	Presence
<b>LED Signal</b>	Green (Activation Relay)	Red (Presence Relay)
<b>Transmitter Frequency / Wavelength</b>	24.150 GHz	875 nm
<b>Transmitter Power Density</b>	< 5 mW / cm <sup>2</sup>	< 250 mW / m <sup>2</sup>
<b>Max. Detection Field</b>		
IS40	156 in × 198 in	120 in × 120 in
IS40XL	156 in × 78 in	90 in × 90 in
<b>Output Hold Time</b>	0.5 s – 9 s	0.5 s
<b>Min. Detection Speed</b>	2 in / s in sensor axis	0 in / s
<b>Tilt Angle</b>	-8° – 22° (Relative to sensor face)	15° – 45°
<b>Mains Frequency</b>	50 – 60 Hz	
<b>Power Consumption</b>	< 3.5 W	
<b>Relay Output</b>	2 relays (free of potential change-over contact)	
Max. Contact Voltage	42 VAC / VDC	
Max. Contact Current	1 A (resistive)	
Max. Switching Power	30 W (DC) / 48 VA (AC)	
<b>Installation Height</b>		
IS40	96 in – 192 in (8 ft – 16 ft)	
IS40XL	78 in – 138 in (6.5 – 11.5 ft)	
<b>Temperature Range</b>	-22 °F – 140 °F	
<b>Dimensions</b>	3.75 in (W) × 4 in (H) × 5 in (D)	
<b>Materials</b>	ABS & Polycarbonate	
<b>Cable Length</b>	360 in (30 ft)	
<b>Degree of Protection</b>	NEMA 4 / IP65	
<b>Norm Conformance</b>	R&TTE: 1999 / 5 / EC; EMC 2004 / 108 / EEC	

## DIMENSIONAL DRAWINGS



## RELATED PRODUCTS



**10IS40**  
MOTION & PRESENCE  
SENSOR



**10IS40XL**  
EXTRA-LOW MOTION  
& PRESENCE SENSOR



**10IS40P**  
PRESENCE SENSOR



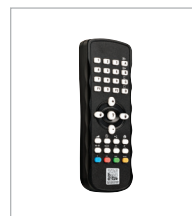
**10INDBRACKET**  
INDUSTRIAL  
MOUNTING BRACKET



**10MINIBRACKET**  
SHORT ADJUSTABLE  
MOUNTING BRACKET



**10SPOTFINDER**  
INFRARED  
SPOTFINDER



**10REMOTE**  
BEA UNIVERSAL  
REMOTE CONTROL

www.BEAinc.com

© 2017 BEA, Inc. All rights reserved.

IS40 / IS40XL

MOTION & PRESENCE SENSOR SERIES FOR INDUSTRIAL DOORS

79.0115.16

20170711

BEA, Inc.  
RIDC Park West  
100 Enterprise Drive  
Pittsburgh, PA 15275-1213

Customer Service: 800.523.2462  
Technical Support: 800.407.4545

